



Heat Transfer, Inc.



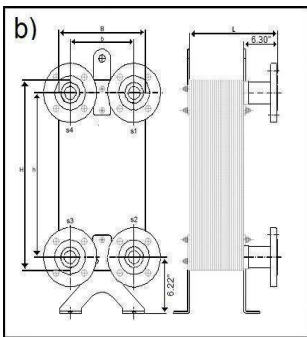
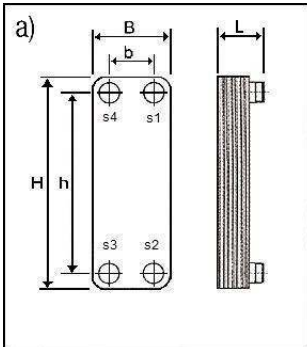
Introducing the **VAU** Blockbuster Brazen Plate Heat Exchanger.

It's time to put our
VAU Blockbuster
to work for you!



Blockbuster VM Series

Technical Specifications



Series	Size	Plates	Item # VAU Blockbuster	Item # VAU Blockbuster & Insulated Enclosure	Depth (inches) L	Width (inches)		Height (inches)		Weight lbs.	Port Fittings Standard Sizes & Types
						B	b	H	h		
VM 15/	10		0151001	0151003	1.69	2.87	1.65	7.95	6.77	2.43	3/4" MNPT or G 3/4
VM 15/	20		0152001	0152003	2.60	2.87	1.65	7.95	6.77	3.53	
VM 15/	30		0153001	0153003	3.50	2.87	1.65	7.95	6.77	4.41	
VM 15/	40		0154001	0154003	4.41	2.87	1.65	7.95	6.77	5.29	
VM 30/	8		0300801	0300803	1.50	4.17	1.97	12.05	9.84	5.15	1" MNPT or G 1
VM 30/	10		0301001	0301003	1.69	4.17	1.97	12.05	9.84	5.51	
VM 30/	14		0301401	0301403	2.05	4.17	1.97	12.05	9.84	6.36	
VM 30/	16		0301601	0301603	2.24	4.17	1.97	12.05	9.84	6.76	
VM 30/	20		0302001	0302003	2.60	4.17	1.97	12.05	9.84	7.28	
VM 30/	24		0302401	0302403	2.95	4.17	1.97	12.05	9.84	8.16	
VM 30/	30		0303001	0303003	3.50	4.17	1.97	12.05	9.84	9.48	
VM 30/	40		0304001	0304003	4.41	4.17	1.97	12.05	9.84	11.68	
VM 30/	50		0305001	0305003	5.31	4.17	1.97	12.05	9.84	13.89	
VM 30/	60		0306001	0306003	6.22	4.17	1.97	12.05	9.84	16.09	
VM 30/	80		0308001	0308003	8.03	4.17	1.97	12.05	9.84	19.60	
VM 55/	6		0550601	0550603	1.33	4.17	1.97	20.47	18.35	11.24	1" MNPT or G 1 (primary)
VM 55/	8		0550801	0550803	1.51	4.17	1.97	20.47	18.35	11.90	
VM 55/	10		0551001	0551003	1.69	4.17	1.97	20.47	18.35	12.79	
VM 55/	14		0551401	0551403	2.06	4.17	1.97	20.47	18.35	14.33	
VM 55/	20		0552001	0552003	2.60	4.17	1.97	20.47	18.35	16.76	
VM 55/	24		0552401	0552403	2.95	4.17	1.97	20.47	18.35	18.08	
VM 55/	30		0553001	0553003	3.50	4.17	1.97	20.47	18.35	20.50	
VM 55/	40		0554001	0554003	4.41	4.17	1.97	20.47	18.35	24.47	
VM 55/	50		0555001	0555003	5.31	4.17	1.97	20.47	18.35	28.22	
VM 55/	60		0556001	0556003	6.22	4.17	1.97	20.47	18.35	31.97	
VM 55/	80		0558001	0558003	8.03	4.17	1.97	20.47	18.35	39.68	
VM 55/	100		0510001	0510003	9.84	4.17	1.97	20.47	18.35	47.40	
VM 60/	6		0600601	0600603	1.33	4.88	2.72	20.94	18.74	11.68	1 1/4" MNPT or G 1 1/4
VM 60/	8		0600801	0600803	1.51	4.88	2.72	20.94	18.74	12.57	
VM 60/	10		0601001	0601003	1.69	4.88	2.72	20.94	18.74	13.45	
VM 60/	14		0601401	0601403	2.06	4.88	2.72	20.94	18.74	15.21	
VM 60/	20		0602001	0602003	2.60	4.88	2.72	20.94	18.74	17.86	
VM 60/	24		0602401	0602403	2.95	4.88	2.72	20.94	18.74	19.62	
VM 60/	30		0603001	0603003	3.50	4.88	2.72	20.94	18.74	22.27	
VM 60/	40		0604001	0604003	4.41	4.88	2.72	20.94	18.74	26.68	
VM 60/	50		0605001	0605003	5.31	4.88	2.72	20.94	18.74	31.09	
VM 60/	60		0606001	0606003	6.22	4.88	2.72	20.94	18.74	35.49	
VM 60/	80		0608001	0608003	8.03	4.88	2.72	20.94	18.74	44.31	
VM 60/	100		0610001	0610003	9.84	4.88	2.72	20.94	18.74	53.13	
VM 85/	30		0853001	0853003	3.50	10.67	7.80	20.94	18.11	47.18	2" MNPT, G 1 3/4 or DN 50- PN 40 Flange
VM 85/	40		0854001	0854003	4.41	10.67	7.80	20.94	18.11	56.66	
VM 85/	50		0855001	0855003	5.31	10.67	7.80	20.94	18.11	66.14	
VM 85/	60		0856001	0856003	6.22	10.67	7.80	20.94	18.11	75.62	
VM 85/	80		0858001	0858003	8.03	10.67	7.80	20.94	18.11	94.58	
VM 85/	100		0810001	0810003	9.84	10.67	7.80	20.94	18.11	113.54	
VM 85/	120		0812001	0812003	11.65	10.67	7.80	20.94	18.11	132.50	
VM 85/	150		0815001	0815003	14.37	10.67	7.80	20.94	18.11	160.94	

Notes:

- 1) reference diagram a, above for all models except VM Series 85 Flange DN 50
- 2) reference diagram b, above for VM Series 85 Flange DN 50
- 3) for BSPP male ports, specify by adding "-EU" to end of item #.
- 4) for NPT male ports, specify by adding "-US" to end of item #.
- 5) for Flange DN50 ports, specify by adding "-FL" to end of VM 85 Series item #.

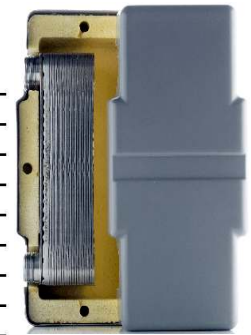
of Brazed Plate Heat Exchangers

Insulated Enclosures



Standard Insulated Enclosure

Series/Size	Plate Count	Dimensions	Item #
		Depth x Width x Height (inches)	
VM 15	10 - 20	3.54 x 5.51 x 11.02	0151002
VM 15	30 - 40	5.51 x 5.51 x 11.02	0153002
VM 30	8 - 30	5.91 x 6.69 x 14.96	0301002
VM 30	40 - 60	8.27 x 6.69 x 14.96	0304002
VM 30	80	10.63 x 6.69 x 14.96	0308002
VM 55	6 - 30	5.51 x 7.48 x 23.62	0550602
VM 55	40 - 60	8.66 x 7.48 x 23.62	0554002
VM 55	80 - 100	12.20 x 7.48 x 23.62	0558002
VM 60	6 - 30	5.51 x 7.48 x 23.62	0600602
VM 60	40 - 60	8.66 x 7.48 x 23.62	0604002
VM 60	80 - 100	12.20 x 7.48 x 23.62	0608002
VM 85	30 - 60	8.86 x 13.39 x 24.21	0853002
VM 85	80 - 100	12.60 x 13.39 x 24.21	0858002
VM 85	120 - 150	15.94 x 13.39 x 24.21	0812002



Special Order Insulated Enclosure

Our standard insulated enclosure is made of form-fitted, black, expanded polypropylene and features two sturdy halves which fit together perfectly with integrated, molded self-locking tabs. Also available, by special order, is a hardened shell variety of insulated enclosure, which consists of two halves which fasten together with hook and loop.

Adapter Options



Male Threaded



Solder (sweat)



ProPress

Series/Size	Type	Sizes & Descriptions	Item #
		(sold in packages of 4)	
VM 15	Male Threaded	G 3/4 female x R 1/2 male	0151004-EU
	Male Threaded	3/4" FNPT x 3/4" MNPT	0151004-US
	Solder (sweat)	G 3/4 female x 15	0151005-EU
	Solder (sweat)	3/4" FNPT x 3/4"	0151005-US
	ProPress	G 3/4 female x 15	0151006-EU
	ProPress	3/4" FNPT x 3/4"	0151006-US
VM 30	Male Threaded	G 1 female x R 3/4 male	0301004-EU
	Male Threaded	1" FNPT x 1" MNPT	0301004-US
	Solder (sweat)	G 1 female x 22	0301005-EU
	Solder (sweat)	1" FNPT x 1"	0301005-US
	ProPress	G 1 female x 22	0301006-EU
	ProPress	1" FNPT x 1"	0301006-US
VM 60	Male Threaded	G 1 1/4 female x R 1 male	0600604-EU
	Male Threaded	1 1/4" FNPT x 1 1/4" MNPT	0600604-US
	Solder (sweat)	G 1 1/4 female x 28	0600605-EU
	Solder (sweat)	1 1/4" FNPT x 1 1/4"	0600605-US
	ProPress	G 1 1/4 female x 28	0600606-EU
	ProPress	1 1/4" FNPT x 1 1/4"	0600606-US
VM 85	Male Threaded	G 1 3/4 female x R 1 1/2 male	0853004-EU
	Male Threaded	2" FNPT x 2" MNPT	0853004-US
	Solder (sweat)	G 1 3/4 female x 42	0853005-EU
	Solder (sweat)	2" FNPT x 2"	0853005-US
	ProPress	G 1 3/4 female x 42	0853006-EU
	ProPress	2" FNPT x 2"	0853006-US



“Quality from the Beginning”

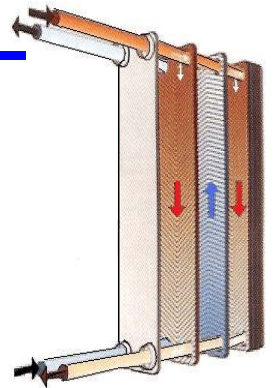
VAU Blockbuster VM Series of Brazed Plate Heat Exchangers

Design, Construction and Effectiveness...



Through a special process, stamped stainless steel plates are vacuum oven brazed using 99.9% pure copper, as the brazing agent. The unique stamping pattern of the stainless steel plates creates the ideal fluid flow path through both the primary and secondary channels for maximum heat transfer. The result: we call it our **VAU Blockbuster**; an ultra efficient and compact device with an excellent price to performance ratio.

The **VAU Blockbuster VM Series** of Brazed Plate Heat Exchangers is a robust product lineup that provides a compact, ultra efficient heat transfer solution appropriate for all stainless steel/copper-compatible liquid-liquid heat transfer applications, within device specification parameters.



Specifications

Maximum operating pressure:	435 psi (30 bar)
Maximum operating temperature:	383 °F (195 °C)
Plate Material:	AISI 316L SS (1.4404)
Brazing Material:	Copper
Certification:	EU Declaration of Conformity - Annex VII of Directive 97/23/EC

Maximum operating parameters are permissible only under static conditions. Constant and significant changes in pressure and/or temperature can stress the device and should be avoided.

Contact Information

At VAU Heat Transfer, we are here to assist you with all of your heat transfer projects. With more than 25 years experience designing, engineering, and manufacturing heat exchangers, we have the technical expertise and know-how to formulate an innovative solution for your heat transfer application.



VAU Werkzeug's facility in Munich, Germany



VAU Heat Transfer, Inc.

7252 E Concho Dr, Bldg B-301
Kingman, AZ 86401 USA

928-692-8986 - tel
928-441-2093 - fax
info@VAU-HT.com - email

www.VAU-HeatTransfer.com